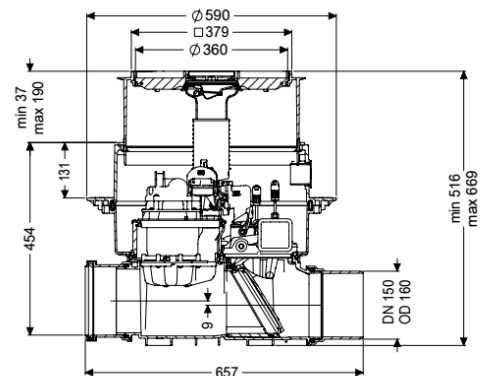
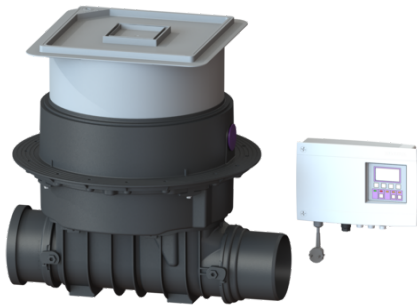


Backwater pump station, Pumpfix F DN 150, Floor slab, tileable



Article information

Item no.: 24150X
 GTIN: 4026092046579
 Price group: 30

Advantages

- Backwater pumping station: uses the natural fall to the sewer - pump is only used for backwater
- Flexible installation, different covers with drain function available for installation in the floor slab
- Quiet and energy-saving

Description

The premium backwater pumping station for faecal and non-faecal wastewater is equipped with a pump and a motor-driven closure system. The pipe cross-section is normally open. In case of backwater, the motor-driven closure system is closed automatically. During the backwater phase, the water drains via the pump with integrated macerator. The station is controlled by a user-friendly control unit, which is optionally integrated in the building management system via a potential-free contact, or alarm and collective fault messages can be output via a GSM interface.

Variant

| | |
|-------------------------------|----------------|
| Emergency closure: | yes |
| Pump control: | Control unit |
| Protection class, probe: | IP 68 (3m/48h) |
| Motor-driven backwater flaps: | 1 |

General characteristics

| | |
|-------------------------|-------------------------|
| Colour: | black |
| Nominal size (DN): | 150 |
| Outer diameter (OD): | 160 mm |
| Type of wastewater: | with sewage |
| Installation situation: | floor slab installation |

| | |
|--|--|
| Delivery state: | Pre-mounted for final assembly on site (pumps and sensor system must be fitted on site and control unit must be connected) |
| Approval: | Z-53.2-388 |
| Motor type: | KSM 140 |
| Type de protection moteur: | IP 68 (3m/48h) |
| Dimensions | |
| Net weight: | 28 kg |
| Gross weight: | 33,5 kg |
| Groundwater resistant from lower edge of base section: | 3000 mm |
| Cutout dimension, width: | 750 mm |
| Cutout dimension, length: | 750 mm |
| Vertical drop between inlet and outlet: | 9 mm |
| Installation depth: | 516 - 669 mm |
| Type of height adjustability: | vertically adjustable upper section |
| Length: | 656 mm |
| Width: | 590 mm |
| Packaging dimension: | length |
| Packaging dimension: | width |
| Packaging dimension: | height |
| Tank/drain body | |
| Socket version: | including spigot and socket |
| Coverage features | |
| Type of cover: | tileable cover plate |
| Cover material: | Polymer |
| Width of cover: | 366 mm |
| Length of cover: | 366 mm |
| Drainage function: | yes |
| Locking: | Lock & Lift |
| Load class: | K 3 (EN 1253-1) |
| Max. flooring height: | 16 mm |
| Odour trap: | Multistop |
| Pumping device | |
| Pump: | SPZ 1000 |
| Number of pumps: | 1 |
| Weight, pump: | 10 kg |
| Connection type: | coded plug |
| Rated current: | 5,2 A |
| Length of mains cable for pump: | 5 m |
| Protection class: | I |
| Insulation class: | F |
| Cos phi - power factor: | 0,97 |
| Protection class (pump): | IP 68 (3m/48h) |
| Temperature monitoring: | integrated |

| | |
|--|---|
| Max. temperature (permanent) of conveyed material: | 40 °C |
| Max. pumping capacity: | 11,5 m ³ /h |
| Max. pumping height: | 10 m |
| Speed: | 2800 U/min |
| Power P1: | 1,2 kW |
| Power P2: | 0,69 kW |
| Operating mode: | S3 - 50 % |
| Type of fuse required (electrical protection): | C 16 A |
| Type of pump connection cable: | H07RN-F 3G 1.5 mm ² |
| Impeller type: | Macerator |
| Motor connection cable type: | ÖPVC-JB/OB 300/500 V/3 x 0,75 mm ² mm ² |
| Sensor connection cable type: | ÖPVC-JB/OB 300/500 V/3 x 0,75 mm ² mm ² |
| | |
| Control | |
| Control unit: | Comfort |
| Alarm sensor: | optical probe |
| Level measurement instrument: | optical probe |
| Type of level measurement: | optical |
| Protection class control unit: | IP 54 |
| Operating voltage: | 230 V |
| Connection type: | coded plug |
| Length of mains cable for control unit: | 1,4 m |
| Potential-free contact: | optional |
| GSM interface: | yes |
| USB interface: | yes |
| Log book function: | yes |
| Multi-line display: | yes |
| Battery buffering: | yes |
| Self-diagnosis system (SDS): | yes |
| Rated current: | 5,2 A |