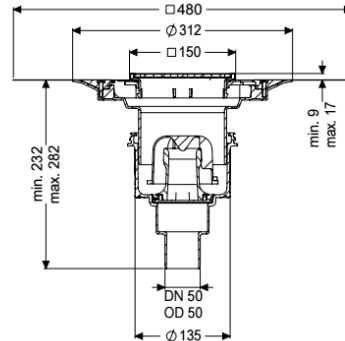
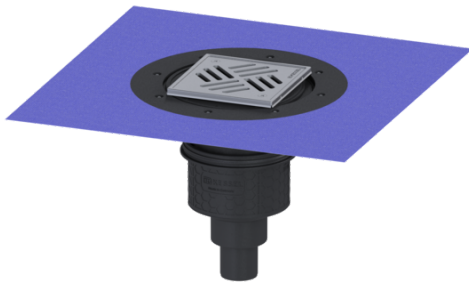


## Practicus floor/roof drain DN 50, vert., Variofix, Slotted grating



### Article information

Item no.: 45250.51  
 GTIN: 4026092033913  
 Price group: 10

### Advantages

- Hygiene: hygienic, absolutely corrosion-free and durable material
- Sound insulation: outstanding sound insulation effect confirmed by the Fraunhofer Institute
- Fire protection: combinable with the Fire-Kit for fire and smoke protection

### Description

The Practicus floor drain is used for point drainage and is equipped with a connection flange as well as a removable odour trap, a lip seal and a temporary protective cover. Including telescopic height-adjustable upper section made of ABS. The drain meets particular sound insulation requirements in accordance with the measurements of the Fraunhofer Institute in Stuttgart. The outlet socket is suitable for connection to SML cast iron pipes. With connection option for equipotential bonding.

#### Variant

System:	125
Waterproofing layer on the upper section:	Enclosed sealing collar to be glued (bd) according to DIN 18534
Waterproofing layer on the drain body:	Connection flange
Sealing water height:	50 mm
Discharge rate (l/s) with 20 mm backwater:	2,2

#### General characteristics

Standard:	EN 1253-1
Nominal size (DN):	50
Outer diameter (OD):	50 mm
Approval:	Z-19.53-2414,Z-19.17-1719
ATEX:	no

Odour trap:	included
Dimensions	
Vertical adjustment:	10 - 18 mm
Net weight:	2,59 kg
Gross weight:	3,35 kg
Type of height adjustability:	vertically adjustable upper section
Length:	135 mm
Width:	135 mm
Packaging dimension:	length
Packaging dimension:	width
Packaging dimension:	height
Tank/drain body	
Number of outlets:	1
Material of drain body:	PP
Socket version:	vertical
Coverage features	
Type of cover:	Slotted cover
Cover material:	Stainless steel 14301
Colour of cover:	silver
Width of cover:	138 mm
Length of cover:	138 mm
Frame material:	Stainless steel 14301
Locking:	screwed
Load class:	K 3 (EN 1253-1)
Grating design:	Kessel
Rim width:	150 mm
Rim length:	150 mm
Upper section:	adjustable in three dimensions
Upper section material:	ABS