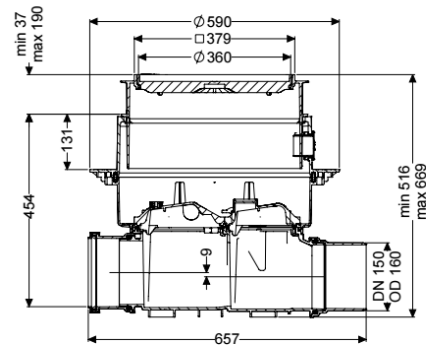


Controlfix clean out DN 150, Floor slab, tileable



Article information

Item no.: 80150X
 GTIN: 4026092004104
 Price group: 30

Advantages

- Simple conversion to Staufix SWA
- Fast, simple and toolless maintenance
- Quick and toolless access for cleaning

Description

The Premium clean out for faecal and faecal-free wastewater makes easy access to wastewater pipes possible for inspection and maintenance work. Thanks to the modular KESSEL system, existing systems can easily be converted to a Staufix SWA Premium backwater valve, Staufix FKA or Pumpfix F backwater pumping station.

General characteristics

| | |
|-------------------------|---|
| Colour: | black |
| Nominal size (DN): | 150 |
| Outer diameter (OD): | 160 mm |
| Type of wastewater: | for wastewater with and without sewage |
| Installation situation: | floor slab installation |
| Delivery state: | Installation-ready (connection parts must be connected on site) |

Dimensions

| | |
|--|-------------------------------------|
| Net weight: | 14 kg |
| Gross weight: | 19,5 kg |
| Groundwater resistant from lower edge of base section: | 3000 mm |
| Cutout dimension, width: | 750 mm |
| Cutout dimension, length: | 750 mm |
| Vertical drop between inlet and outlet: | 9 mm |
| Installation depth: | 516 - 669 mm |
| Type of height adjustability: | vertically adjustable upper section |
| Length: | 486 mm |

| | |
|-----------------------|-----------------------------|
| Width: | 590 mm |
| Packaging dimension: | length |
| Packaging dimension: | width |
| Packaging dimension: | height |
| Tank/drain body | |
| Socket version: | including spigot and socket |
| Coverage features | |
| Type of cover: | tileable cover plate |
| Cover material: | Polymer |
| Width of cover: | 366 mm |
| Length of cover: | 366 mm |
| Locking: | Lock & Lift |
| Load class: | K 3 (EN 1253-1) |
| Tightness: | surface water resistant |
| Max. flooring height: | 16 mm |