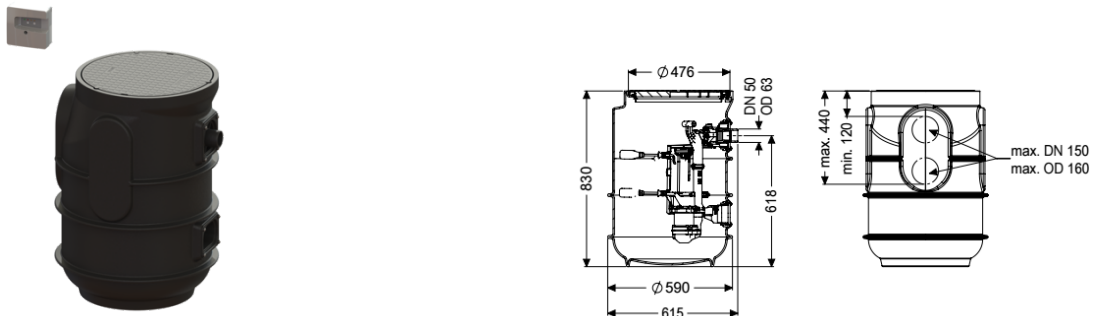


## Pumping station Aquapump Small Tronic, Basic, GTF 600



### Article information

Item no.: 829811  
 GTIN: 4026092092965  
 Price group: 20

### Advantages

- Including backflow preventer for the pressure pipe
- Including openings for inlet, ventilation and cable duct
- Easy tool-free maintenance

### Description

The pumping station without sewage wastewater is suitable for underground installation and is equipped with a backflow preventer for the pressure pipe. The PE tank is resistant to domestic wastewater and includes a pedestrian class polymer cover plate. The pump with multi-vane impeller ensures maximum operating reliability. The components are pre-assembled for final assembly on site. Including openings for inlet. - tank made of PE, resistant to domestic wastewater - with a pedestrian class cover plate made of polymer - including backflow preventer for the pressure pipe - including openings for inlet, ventilation and cable duct - pump/s with multi-vane impeller for maximum operating reliability

#### Variant

Type of system:	Single unit
Installation:	Wet installation
Pump control:	Control unit
Backflow preventer:	integrated

#### General characteristics

Colour:	black
Standard:	EN 12050-2
Type of wastewater:	without sewage
Installation situation:	underground installation

Delivery state:	Pre-mounted for final assembly on site (pumps and sensor system must be fitted on site and control unit must be connected)
System type:	Tronic
<b>Dimensions</b>	
Net weight:	22 kg
Gross weight:	31 kg
Installation depth:	0 - 830 mm
Length:	590 mm
Width:	590 mm
Height:	830 mm
Packaging dimension:	length
Packaging dimension:	width
Packaging dimension:	height
<b>Tank/drain body</b>	
Pressure pipe connection (DN):	50
Pressure pipe connection (OD):	63 mm
Inlet max. scoring (DN):	100 mm
Pumping volume:	60 l
<b>Coverage features</b>	
Type of cover:	Round cover plate
Colour of cover:	black
Width of cover:	600 mm
Length of cover:	615 mm
Locking:	lockable
Load class:	up to 300 kg
<b>Pumping device</b>	
Pump:	GTF 600
Number of pumps:	1
Weight, pump:	6 kg
Connection type:	Schuko (earthed contact) 2-pin
Rated current:	2,9 A
Length of mains cable for pump:	10 m
Protection class:	I
Insulation class:	F
Protection class (pump):	IP 68 (3m)
Temperature monitoring:	integrated
Max. temperature (permanent) of conveyed material:	40 °C
Max. pumping capacity:	12 m <sup>3</sup> /h
Max. pumping height:	8 m
Speed:	2750 U/min
Power P1:	0,65 kW
Power P2:	0,4 kW
Operating mode:	S1
Type of fuse required (electrical protection):	C 16 A

Type of pump connection cable:	H07RN-F 3G 1.5 mm <sup>2</sup>
Impeller type:	Multi-vane impeller
Free passage:	30 mm
Switching level, float switch OFF:	160
Switching level, float switch ON:	260
Control	
Control unit:	Basic
Control unit function:	With alarm message
Motor protection switch:	yes
Level measurement instrument:	Float switch
Type of level measurement:	mechanical
Protection class control unit:	IP 54
Mains frequency:	50 Hz
Operating voltage:	230 V
Connection type:	Schuko (earthed contact) 2-pin
Length of mains cable for control unit:	1,45 m
Potential-free contact:	optional
Battery buffering:	yes
Self-diagnosis system (SDS):	yes
Warning equipment version:	acoustic and optical signal
Rated current:	2,9 A