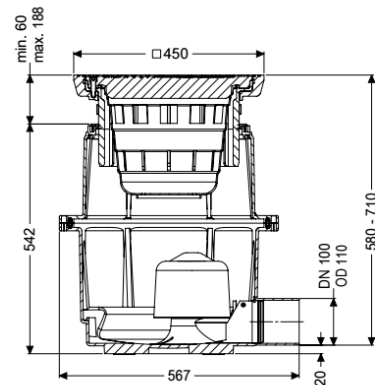


Yard drain System 400, DN 100, D, 580-710 mm



Article information

Item no.: 851101D
 GTIN: 4026092004302
 Price group: 10

Advantages

- Different load classes available
- Height-adjustable complete system
- Easy underground installation

Description

The polymer yard drain is used for point drainage and is resistant to aggressive wastewater. It is equipped with a sludge bucket and fuel resistant seals. The polymer upper section enables continuous height and level adjustment.

Variant

System:	400
Heating:	without
Contents of sludge trap:	yes
Waterproofing layer on the upper section:	Connection flange
Discharge rate (l/s) with 20 mm backwater:	4,5

General characteristics

Colour:	black
Standard:	EN 752
Nominal size (DN):	100
Outer diameter (OD):	110 mm
ATEX:	no
Odour trap:	included

Dimensions

Vertical adjustment:	55 - 180 mm
Net weight:	25,5 kg
Gross weight:	25,5 kg
Groundwater resistant from lower edge of base section:	500 mm

Cutout dimension, width:	535 mm
Cutout dimension, length:	585 mm
Min. insertion depth:	55 mm
Adjustment range:	55 - 185
Installation depth:	580 - 710 mm
Type of height adjustability:	vertically adjustable upper section
Length:	563 mm
Width:	500 mm
Height:	580 mm
Packaging dimension:	length
Packaging dimension:	width
Packaging dimension:	height
Tank/drain body	
Number of outlets:	1
Material of drain body:	Polymer
Socket version:	lateral
Coverage features	
Type of cover:	Round slotted cover
Cover material:	Grey iron
Width of cover:	450 mm
Length of cover:	450 mm
Load class:	D 400 (EN 124)
Rim width:	450 mm
Rim length:	450 mm
Shape of upper section:	square
Contents of sludge trap:	yes