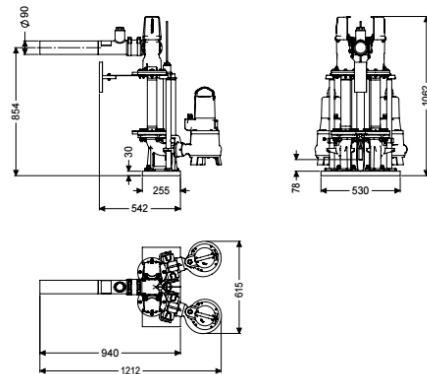


## Pump system Aquapump Retrofit Duo, GTF 2600, Level sensor



### Article information

Item no.: 8744024  
 GTIN: 4026092103531  
 Price group: 60

### Description

Twin pump system, for installation in an on-site chamber module. Required minimum diameter of the on-site chamber:

1000 mm

#### Variant

Type of system:

duo pump

Shut-off valve:

yes

Installation:

Wet installation

Pump control:

Control unit

Backflow preventer:

integrated

Pressure pipe connection:

vertical (special version, on request), horizontal (standard version)

#### General characteristics

Standard:

EN 12050-2 as well as EN 12050-1 (without ATEX requirements)

Type of wastewater:

for wastewater with or without sewage (in installation situations without ATEX requirements)

Installation situation:

installation in on-site collecting tank

System type:

Duo

ATEX:

no

#### Dimensions

Net weight:

133,6 kg

Gross weight:

133,6 kg

Packaging dimension:	length
Packaging dimension:	width
Packaging dimension:	height
Tank/drain body	
Pressure pipe connection (DN):	80
Pressure pipe connection (OD):	90 mm
Pumping device	
Pump:	GTF 2600
Number of pumps:	2
Connection type:	coded plug
Operating voltage:	400
Mains frequency:	50 Hz
Rated current:	4,5 A
Length of mains cable for pump:	10 m
Protection class:	I
Protection class (pump):	IP 68 (3m)
Temperature monitoring:	integrated
Max. temperature (permanent) of conveyed material:	40 °C
Max. pumping capacity:	46 m <sup>3</sup> /h
Max. pumping height:	13,6 m
Speed:	2900 U/min
Power P1:	2,6 kW
Power P2:	2,1 kW
Operating mode:	S1
Type of pump connection cable:	H07RN-F 7G 1.5 mm <sup>2</sup>
Impeller type:	Multi-vane impeller
Type of fuse required (electrical protection):	3 x C 20 A
Control	
Control unit:	Comfort
Alarm sensor:	Level sensor
Level measurement instrument:	Level sensor
Type of level measurement:	hydrostatic
Protection class control unit:	IP 54
Mains frequency:	50 Hz
Operating voltage:	400 V
Connection type:	coded plug
Length of mains cable for control unit:	1,4 m
Potential-free contact:	optional
GSM interface:	yes
USB interface:	yes
Log book function:	yes
Multi-line display:	yes
Battery buffering:	yes
Self-diagnosis system (SDS):	yes
Type of fuse required (electrical protection):	3 x C 20 A
Rated current:	4,5 A