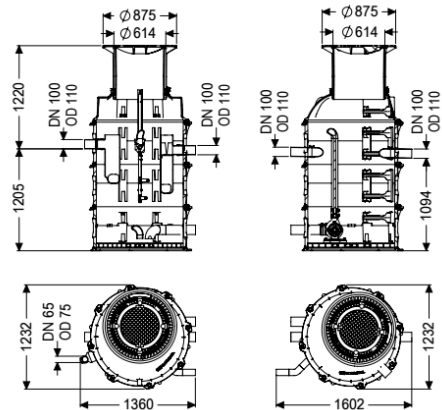


## Grease separator EasyClean ground NS 1, Auto Mix, 760-1200 mm, A/B



### Article information

Item no.: 93001/120B-DSP-TS

GTIN:

Price group: 60

### Advantages

- Program-controlled rinsing device
- Customisation possible through control unit
- Low-maintenance operation

### Description

The separator for greasy wastewater for underground installation consists of a grease separator and an engineering chamber. The two-piece system made of permanently resistant polymer (PE) is equipped with an integrated sludge trap and an integrated sampling device. Access for cleaning and maintenance work is provided by inspection openings, with polymer upper sections for continuously adjustable height and level compensation. The innovative Shredder-Mix-System with integrated macerating system is responsible for homogenising and circulating the tank contents. Cleaning takes place via an exterior submersible pump which is installed in a separate engineering chamber and can be disconnected from the tank by a shut-off valve. A direct disposal pipe socket is available for odour-neutral manual disposal. The fully automatic program run is controlled by a user-friendly control unit with multi-line display that can be integrated into the building management system through a potential-free contact. The control unit with 10 m long cable is installed in the engineering chamber in the factory. Cleaning and disposal can be started remotely using the remote control. Thanks to the customisable cleaning program with fast-selection function, cleaning can be adapted to the local circumstances as required. Observance of the Drinking Water Hygiene Directive can be guaranteed through the fully automatic rinsing of the drinking water pipes. The refill inlet and solenoid valves must be installed in a dry room on site. The connections between the grease separator and the engineering chamber as well as the reserve conduits and the connections must be made on site. (see connection set 917421). A load distribution slab must be installed on site for load class D. The reinforcement drawings are available from KESSEL. 20 year polyethylene warranty.

#### Variant

|   |  |
|---|--|
| Note on installation depth:               | Installation in the ground, frost-free depth 1200 mm |
| Shut-off valve:                           | yes  |
| Disposal variant:                         | Auto Mix   |
| Shredder-Mix-System:                      | yes  |
| Sludge bucket:                            | no   |
| Nominal size (NS):                        | 1  |
| SonicControl:                             | no   |
| Disposal system:                          | Disposal connection                                  |
| Refill inlet in accordance with DIN 1988: | yes  |
| Type of disposal:                         | automatic cleaning system                            |
| Water supply:                             | 2 solenoid valves 1"                                 |
| Sampling device:                          | Type NBG   |
| Load-bearing capacity (DIN 19901):        | E2   |

#### General characteristics

|                         |  |
|-------------------------|--|
| Material:               | PE   |
| Standard:               | EN 1825  |
| Installation situation: | underground installation   |
| Delivery state:         | Installation-ready (electrical components, connection parts must be connected on site) |
| Scope of delivery:      | Storz-B coupling R 2 1/2" for disposal vehicle connection                              |

#### Dimensions

|  |   |
|--|---|
| Net weight:  | 440 kg  |
| Gross weight:  | 460 kg  |
| Groundwater resistant from lower edge of base section: | 3000 mm   |
| Diameter:  | 648 mm  |
| Max. length:   | 2790 mm   |
| Installation depth:                                    | 760 - 1200 mm   |
| Type of height adjustability:                          | vertically adjustable upper section, can be tilted by 5 degrees                               |
| Required access area, length:                          | 1425 mm   |
| Required access area, width:                           | 1235 mm   |
| <b>Tank/drain body</b>                                 |   |
| Distance pipe bottom outlet to tank bottom:            | 595 mm  |
| Distance pipe bottom inlet to tank bottom:             | 705 mm  |
| Outlet nominal size (OD):                              | 110 mm  |
| Outlet nominal size (DN):                              | 100 mm  |
| Inlet nominal size (OD):                               | 110 mm  |
| Inlet nominal size (DN):                               | 100 mm  |
| Connection inlet/outlet sockets:                       | PE-HD pipes in accordance with DIN 19537, PVC-KG pipes in accordance with DIN 19534, PP or AS |
| Clear width of tank (LW):                              | 1000 mm   |
| Clear width of entry (LW):                             | 600 mm  |
| <b>Coverage features</b>                               |   |
| Type of cover:   | Cover plate   |
| Cover material:  | Grey iron   |
| Colour of cover:                                       | black   |
| Locking:   | unlocked  |
| Load class:  | B 125 (EN 124)  |
| Tightness:   | odour-tight and surface water resistant   |
| <b>Wastewater contents</b>                             |   |
| Separator contents:                                    | 230 l   |
| Total volume:  | 370 l   |
| Contents of sludge trap:                               | 140 l   |
| Storage quantity of grease:                            | 70 l  |
| <b>Pumping device</b>                                  |   |
| Pump:  | SPF 300 IP68  |
| Number of pumps:                                       | 1   |
| Weight, pump:  | 44 kg   |
| Connection type:                                       | Direct connection   |
| Rated current:   | 6,2 A   |
| Length of mains cable for pump:                        | 5 m   |
| Protection class:                                      | I   |
| Insulation class:                                      | F   |
| Protection class (pump):                               | IP 68   |
| Temperature monitoring:                                | integrated  |

|  |  |
|--|--|
| Max. temperature (permanent) of conveyed material: | 40 °C                                      |
| Max. pumping capacity:                             | 60 m <sup>3</sup> /h                       |
| Max. pumping height:                               | 17 m                                       |
| Speed:   | 2850 U/min                                 |
| Power P1:  | 3,6 kW                                     |
| Power P2:  | 3 kW                                       |
| Operating mode:                                    | S2 - 30 min.                               |
| Type of fuse required (electrical protection):     | Fuse protection through control unit 400 V |
| Type of pump connection cable:                     | H07RN-F 7G 1.5 mm <sup>2</sup>             |
| Impeller type:                                     | Radial impeller with macerating system     |
| <b>Control</b>                                     |  |
| Control unit:                                      | yes  |
| Motor protection switch:                           | yes  |
| Type of fuse required (RCD):                       | 30 mA                                      |
| Protection class control unit:                     | IP 54                                      |
| Mains frequency:                                   | 50 Hz                                      |
| Operating voltage:                                 | 400 V                                      |
| Connection type:                                   | Direct connection                          |
| Potential-free contact:                            | yes  |
| GSM interface:                                     | no   |
| USB interface:                                     | no   |
| Log book function:                                 | yes  |
| Multi-line display:                                | yes  |
| Battery buffering:                                 | no   |
| Self-diagnosis system (SDS):                       | yes  |
| Rated current:                                     | 6,2 A                                      |