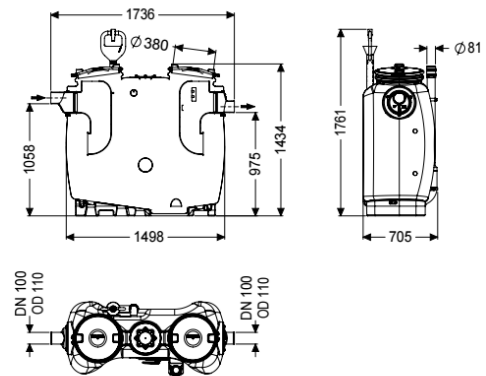


Grease separator EasyClean free NS 2, Direct, Refill in., Insp. win., SC



Article information

Item no.: 93002.32/D
 GTIN: 4026092063729
 Price group: 60

Advantages

- Direction of flow can be changed thanks to self-sealing interchangeable hubs (NS 2- NS 10)
- Low-maintenance operation
- Odour-reduced disposal with the tank closed

Description

The separator for greasy wastewater is suitable for free-standing set-up in frost-protected rooms and comes without metallic components in the tank. The collecting tank made of permanently resistant polymer (PE) is equipped with an integrated sludge trap and has a tapered base for fast and clean disposal. Two odour-tight covers with quick-release closures make easy access possible for cleaning and maintenance work. A direct disposal pipe socket is available for odour-reduced manual disposal. After disposal, a maximum of 3 litres residual sludge volume is left in the tank. 20 year polyethylene warranty.

Variant

Disposal variant:	Direct
Shredder-Mix-System:	no
Sludge bucket:	yes
Nominal size (NS):	2
SonicControl:	yes
Disposal system:	Disposal connection
Refill inlet in accordance with DIN 1988:	yes
Type of disposal:	manual
Load-bearing capacity (DIN 19901):	F3

General characteristics

Material:	PE
Standard:	EN 1825
Installation situation:	free-standing installation

Delivery state:	Installation-ready (connection parts must be connected on site)
Scope of delivery:	Storz-B coupling R 2 1/2" for disposal vehicle connection
Dimensions	
Net weight:	93 kg
Gross weight:	108 kg
Set-up area, length:	1735 mm
Set-up area, width:	706 mm
Set-up area, height:	1435 mm
Required access area, length:	1500 mm
Required access area, width:	680 mm
Required access area, height:	1435 mm
Packaging dimension:	length
Packaging dimension:	width
Packaging dimension:	height
Tank/drain body	
Nominal pressure (PN):	10
Pressure pipe connection (DN):	65
Pressure pipe connection (OD):	75 mm
Distance pipe bottom outlet to tank bottom:	985 mm
Distance pipe bottom inlet to tank bottom:	1055 mm
Outlet nominal size (OD):	110 mm
Outlet nominal size (DN):	100 mm
Inlet nominal size (OD):	110 mm
Inlet nominal size (DN):	100 mm
Connection inlet/outlet sockets:	PE-HD pipes in accordance with DIN 19537, HT pipes in accordance with DIN 19560, PP or AS
Servicing opening:	420 mm
Coverage features	
Type of cover:	Cover
Cover material:	Polymer
Colour of cover:	violet
Locking:	Quick-release closure
Tightness:	odour-tight
Wastewater contents	
Separator contents:	400 l
Total volume:	600 l
Contents of sludge trap:	200 l
Storage quantity of grease:	100 l
Control	
Control unit:	no